



California Faucets®

Decorative Grab Bar

KNURLED END WITH CONCAVE BASE

Features

- All brass construction
- 1-1/4" diameter bar
- Concealed mounting
- Mounting hardware included

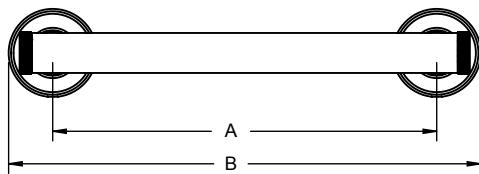
- 9412D-30K
- 9418D-30K
- 9424D-30K
- 9430D-30K
- 9436D-30K
- 9442D-30K
- 9448D-30K



9418D-30K SHOWN

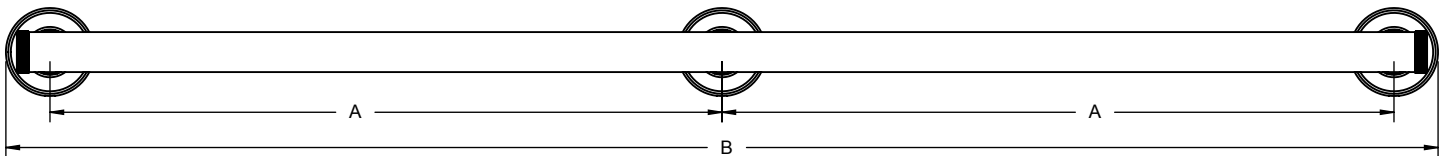
Codes/Standards Applicable

- Product meets or exceeds the following:
- ADA compliant

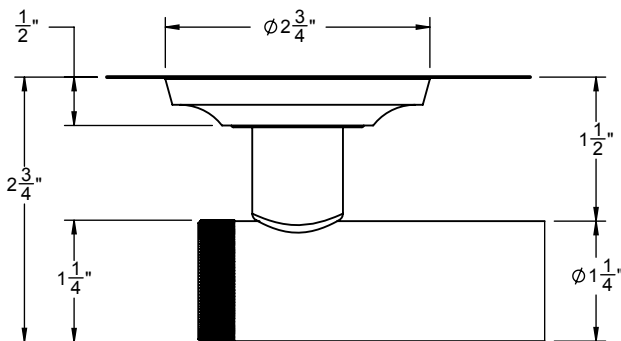


FRONT VIEW
(2 POST)

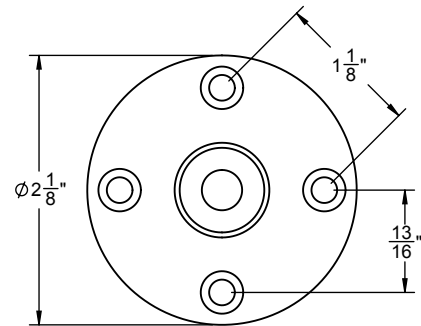
	DECORATIVE GRAB BAR	DIM. A	DIM. B
2 POST	9412D-30K	12"	14 ¹³ / ₁₆ "
	9418D-30K	18"	20 ¹³ / ₁₆ "
	9424D-30K	24"	26 ¹³ / ₁₆ "
	9430D-30K	30"	32 ¹³ / ₁₆ "
	9436D-30K	36"	38 ¹³ / ₁₆ "
3 POST	9442D-30K	21"	44 ¹³ / ₁₆ "
	9448D-30K	24"	50 ¹³ / ₁₆ "



FRONT VIEW
(3 POST)



TOP VIEW



WALL MOUNT FLANGE

- (8X) - 2 POST GRAB BAR
#8 X 1-3/4" PHILLIPS HEAD SCREW
- (12X) - 3 POST GRAB BAR
#8 X 1-3/4" PHILLIPS HEAD SCREW

SPECIFICATIONS SUBJECT TO CHANGE WITHOUT NOTICE

ALL DIMENSIONS SHOWN TO NEAREST 1/16"



California Faucets®

Decorative Grab Bar

BALL END WITH LINED BASE

Features

- All brass construction
- 1-1/4" diameter bar
- Concealed mounting
- Mounting hardware included

9412D-33
 9418D-33
 9424D-33
 9430D-33
 9436D-33
 9442D-33
 9448D-33

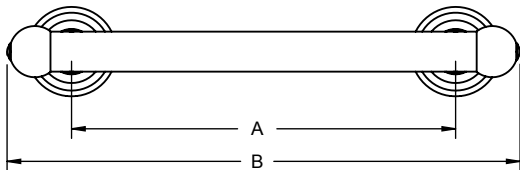


Codes/Standards Applicable

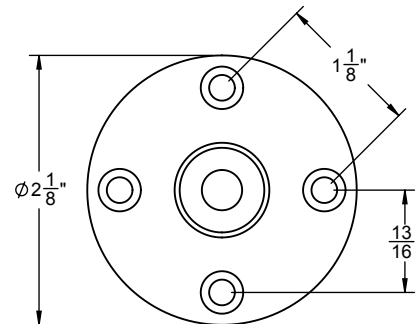
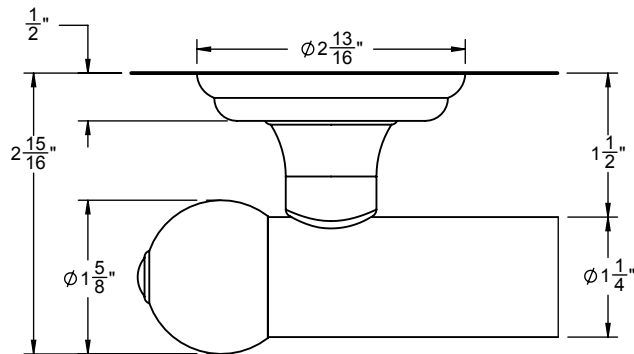
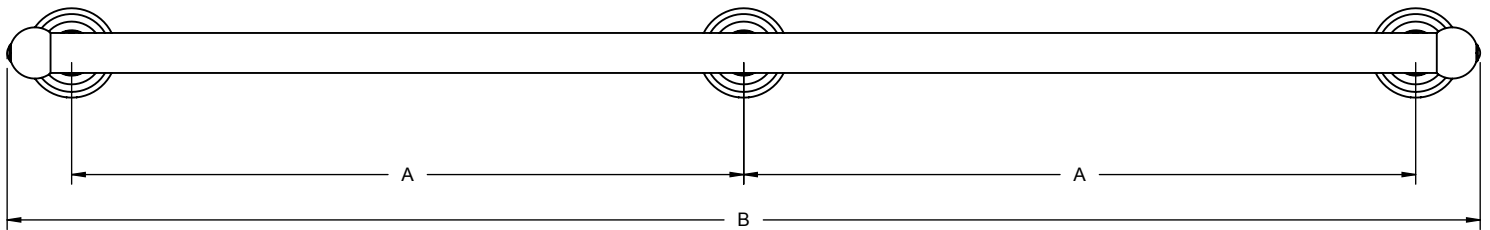
Product meets or exceeds the following:

- ADA compliant

9418D-33 SHOWN



	DECORATIVE GRAB BAR	DIM. A	DIM. B
2 POST	9412D-33	12"	16 ¹ / ₁₆ "
	9418D-33	18"	22 ¹ / ₁₆ "
	9424D-33	24"	28 ¹ / ₁₆ "
	9430D-33	30"	34 ¹ / ₁₆ "
	9436D-33	36"	40 ¹ / ₁₆ "
3 POST	9442D-33	21"	46 ¹ / ₁₆ "
	9448D-33	24"	52 ¹ / ₁₆ "



- (8X) - 2 POST GRAB BAR
 #8 X 1-3/4" PHILLIPS HEAD SCREW
- (12X) - 3 POST GRAB BAR
 #8 X 1-3/4" PHILLIPS HEAD SCREW

SPECIFICATIONS SUBJECT TO CHANGE WITHOUT NOTICE

ALL DIMENSIONS SHOWN TO NEAREST 1/16"



California Faucets®

Decorative Grab Bar

DOMED END WITH LINED BASE

Features

- All brass construction
- 1-1/4" diameter bar
- Concealed mounting
- Mounting hardware included

9412D-34
 9418D-34
 9424D-34
 9430D-34
 9436D-34
 9442D-34
 9448D-34

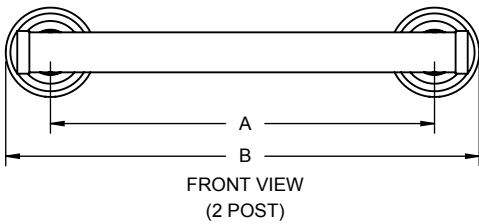


Codes/Standards Applicable

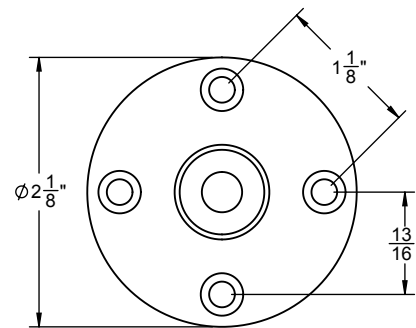
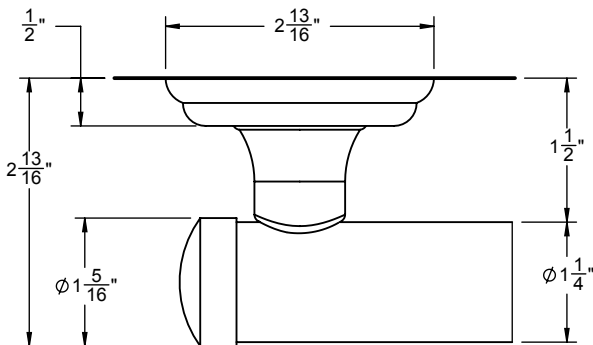
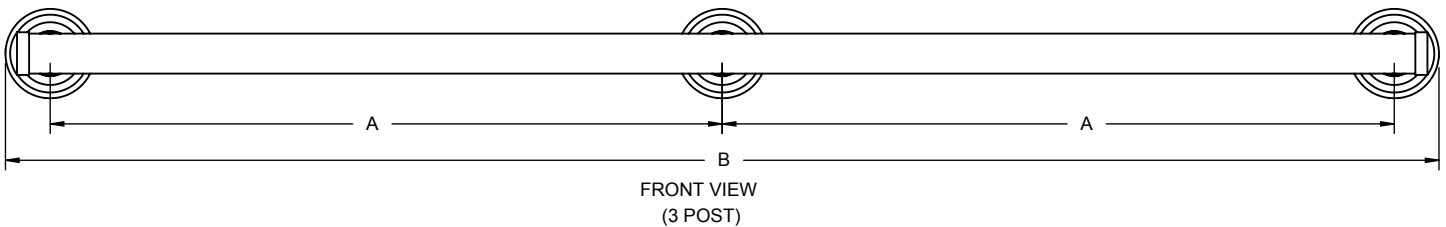
Product meets or exceeds the following:

- ADA compliant

9418D-34 SHOWN



	DECORATIVE GRAB BAR	DIM. A	DIM. B
2 POST	9412D-34	12"	14 ¹³ / ₁₆ "
	9418D-34	18"	20 ¹³ / ₁₆ "
	9424D-34	24"	26 ¹³ / ₁₆ "
	9430D-34	30"	32 ¹³ / ₁₆ "
	9436D-34	36"	38 ¹³ / ₁₆ "
3 POST	9442D-34	21"	44 ¹³ / ₁₆ "
	9448D-34	24"	50 ¹³ / ₁₆ "



- (8X) - 2 POST GRAB BAR
#8 X 1-3/4" PHILLIPS HEAD SCREW
- (12X) - 3 POST GRAB BAR
#8 X 1-3/4" PHILLIPS HEAD SCREW

SPECIFICATIONS SUBJECT TO CHANGE WITHOUT NOTICE

ALL DIMENSIONS SHOWN TO NEAREST 1/16"



California Faucets®

Decorative Grab Bar

SMOOTH END WITH CONCAVE BASE

Features

- All brass construction
- 1-1/4" diameter bar
- Concealed mounting
- Mounting hardware included

9412D-45
9418D-45
9424D-45
9430D-45
9436D-45
9442D-45
9448D-45

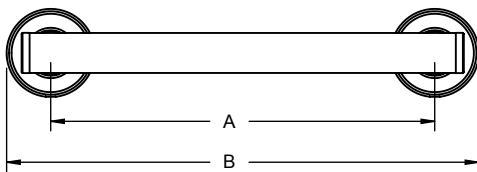


Codes/Standards Applicable

Product meets or exceeds the following:

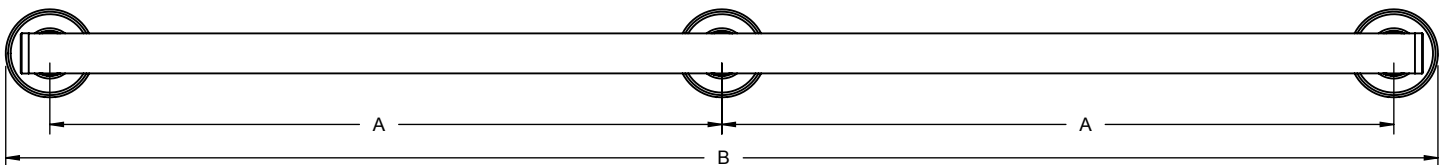
- ADA compliant

9418D-45 SHOWN

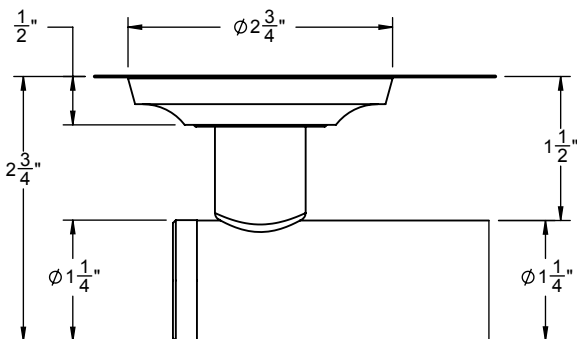


FRONT VIEW
(2 POST)

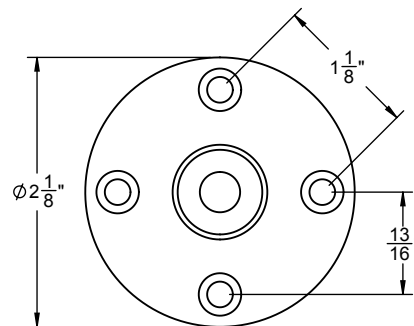
	DECORATIVE GRAB BAR	DIM. A	DIM. B
2 POST	9412D-45	12"	14 ³ / ₄ "
	9418D-45	18"	20 ³ / ₄ "
	9424D-45	24"	26 ³ / ₄ "
	9430D-45	30"	32 ³ / ₄ "
	9436D-45	36"	38 ³ / ₄ "
3 POST	9442D-45	21"	44 ³ / ₄ "
	9448D-45	24"	50 ³ / ₄ "



FRONT VIEW
(3 POST)



TOP VIEW

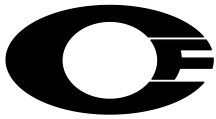


WALL MOUNT FLANGE

	(8X) - 2 POST GRAB BAR #8 X 1-3/4" PHILLIPS HEAD SCREW
	(12X) - 3 POST GRAB BAR #8 X 1-3/4" PHILLIPS HEAD SCREW

SPECIFICATIONS SUBJECT TO CHANGE WITHOUT NOTICE

ALL DIMENSIONS SHOWN TO NEAREST 1/16"



California Faucets®

Decorative Grab Bar

DOMED END WITH HEX BASE

Features

- All brass construction
- 1-1/4" diameter bar
- Concealed mounting
- Mounting hardware included

- 9412D-47
- 9418D-47
- 9424D-47
- 9430D-47
- 9436D-47
- 9442D-47
- 9448D-47

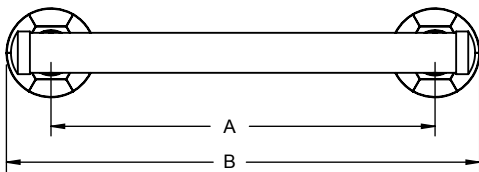


Codes/Standards Applicable

Product meets or exceeds the following:

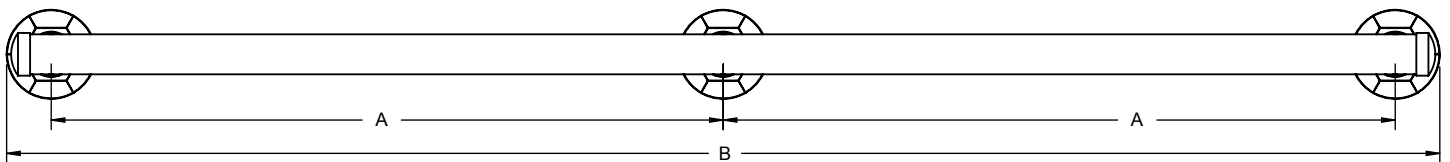
- ADA compliant

9418D-47 SHOWN

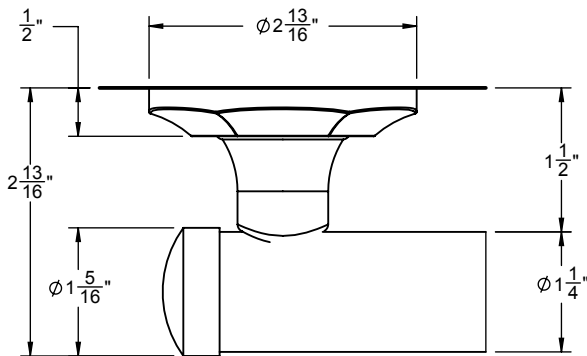


FRONT VIEW
(2 POST)

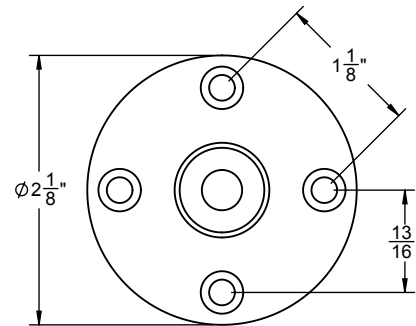
	DECORATIVE GRAB BAR	DIM. A	DIM. B
2 POST	9412D-47	12"	14 $\frac{13}{16}$ "
	9418D-47	18"	20 $\frac{13}{16}$ "
	9424D-47	24"	26 $\frac{13}{16}$ "
	9430D-47	30"	32 $\frac{13}{16}$ "
	9436D-47	36"	38 $\frac{13}{16}$ "
3 POST	9442D-47	21"	44 $\frac{13}{16}$ "
	9448D-47	24"	50 $\frac{13}{16}$ "



FRONT VIEW
(3 POST)



TOP VIEW



WALL MOUNT FLANGE

- (8X) - 2 POST GRAB BAR
#8 X 1-3/4" PHILLIPS HEAD SCREW
- (12X) - 3 POST GRAB BAR
#8 X 1-3/4" PHILLIPS HEAD SCREW

SPECIFICATIONS SUBJECT TO CHANGE WITHOUT NOTICE

ALL DIMENSIONS SHOWN TO NEAREST 1/16"



California Faucets®

Decorative Grab Bar

DOMED END WITH CONCAVE BASE

Features

- All brass construction
- 1-1/4" diameter bar
- Concealed mounting
- Mounting hardware included

- 9412D-48
- 9418D-48
- 9424D-48
- 9430D-48
- 9436D-48
- 9442D-48
- 9448D-48

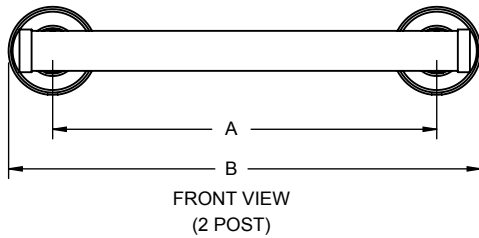


Codes/Standards Applicable

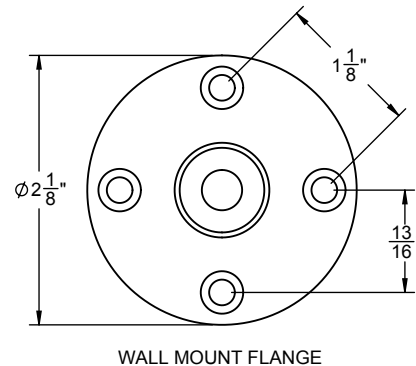
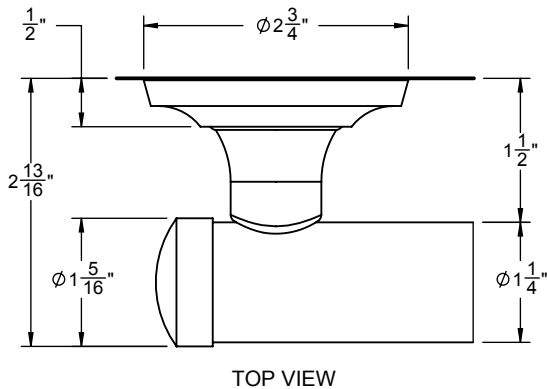
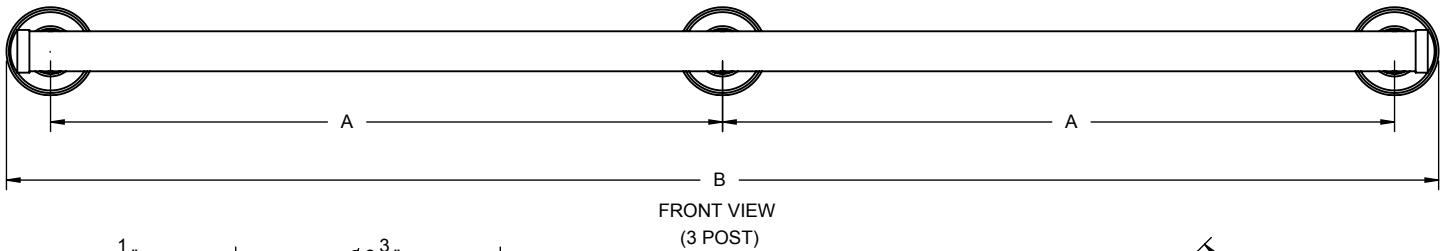
Product meets or exceeds the following:

- ADA compliant

9418D-48 SHOWN



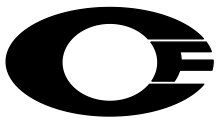
	DECORATIVE GRAB BAR	DIM. A	DIM. B
2 POST	9412D-48	12"	14 $\frac{13}{16}$ "
	9418D-48	18"	20 $\frac{13}{16}$ "
	9424D-48	24"	26 $\frac{13}{16}$ "
	9430D-48	30"	32 $\frac{13}{16}$ "
	9436D-48	36"	38 $\frac{13}{16}$ "
3 POST	9442D-48	21"	44 $\frac{13}{16}$ "
	9448D-48	24"	50 $\frac{13}{16}$ "



- (8X) - 2 POST GRAB BAR
#8 X 1-3/4" PHILLIPS HEAD SCREW
- (12X) - 3 POST GRAB BAR
#8 X 1-3/4" PHILLIPS HEAD SCREW

SPECIFICATIONS SUBJECT TO CHANGE WITHOUT NOTICE

ALL DIMENSIONS SHOWN TO NEAREST 1/16"



California Faucets®

Decorative Grab Bar

BALL END WITH CONCAVE BASE

Features

- All brass construction
- 1-1/4" diameter bar
- Concealed mounting
- Mounting hardware included

9412D-64
9418D-64
9424D-64
9430D-64
9436D-64
9442D-64
9448D-64

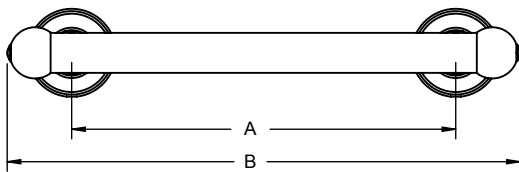


Codes/Standards Applicable

Product meets or exceeds the following:

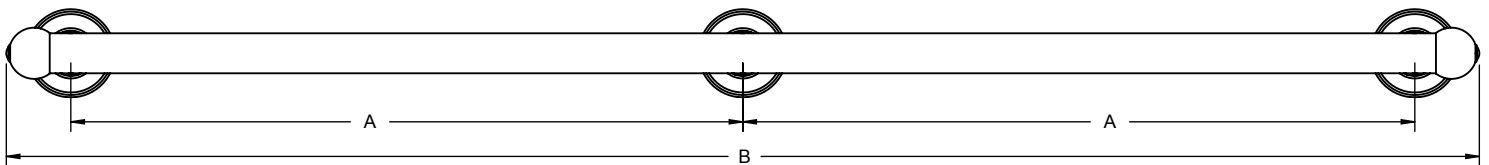
- ADA compliant

9418D-64 SHOWN

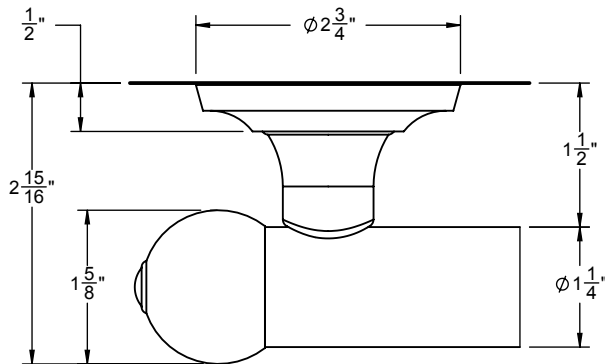


FRONT VIEW
(2 POST)

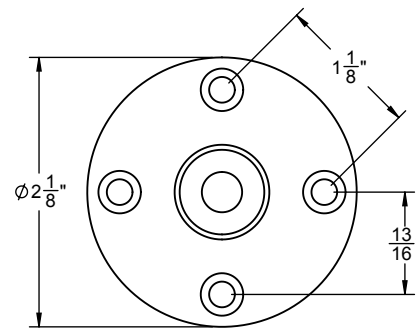
	DECORATIVE GRAB BAR	DIM. A	DIM. B
2 POST	9412D-64	12"	16 $\frac{1}{16}$ "
	9418D-64	18"	22 $\frac{1}{16}$ "
	9424D-64	24"	28 $\frac{1}{16}$ "
	9430D-64	30"	34 $\frac{1}{16}$ "
	9436D-64	36"	40 $\frac{1}{16}$ "
3 POST	9442D-64	21"	46 $\frac{1}{16}$ "
	9448D-64	24"	52 $\frac{1}{16}$ "



FRONT VIEW
(3 POST)



TOP VIEW



WALL MOUNT FLANGE

	(8X) - 2 POST GRAB BAR #8 X 1-3/4" PHILLIPS HEAD SCREW
	(12X) - 3 POST GRAB BAR #8 X 1-3/4" PHILLIPS HEAD SCREW

SPECIFICATIONS SUBJECT TO CHANGE WITHOUT NOTICE

ALL DIMENSIONS SHOWN TO NEAREST 1/16"



California Faucets®

Decorative Grab Bar

SMOOTH END WITH ROUND BASE

Features

- All brass construction
- 1-1/4" diameter bar
- Concealed mounting
- Mounting hardware included

- 9412D-65
- 9418D-65
- 9424D-65
- 9430D-65
- 9436D-65
- 9442D-65
- 9448D-65

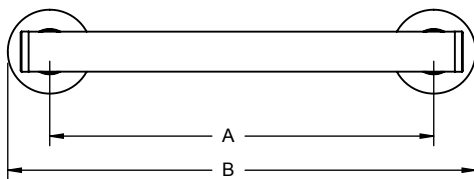


9418D-65 SHOWN

Codes/Standards Applicable

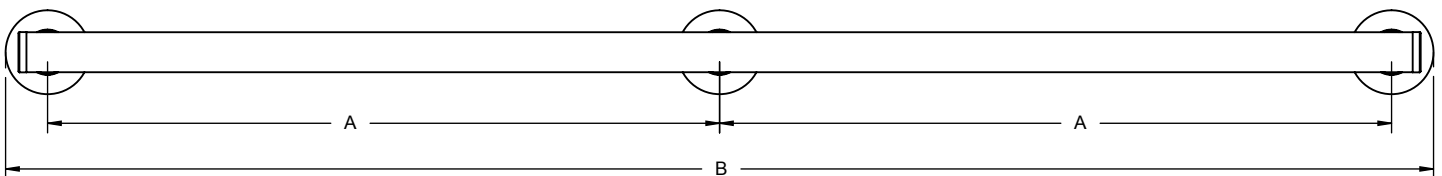
Product meets or exceeds the following:

- ADA compliant

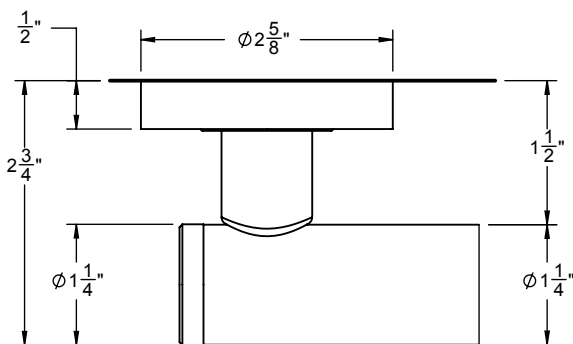


FRONT VIEW
(2 POST)

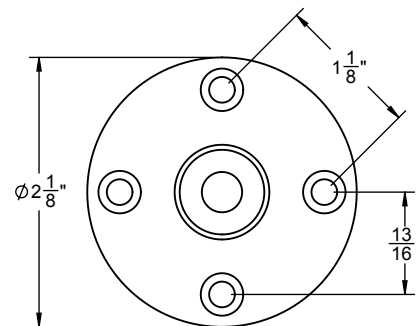
	DECORATIVE GRAB BAR	DIM. A	DIM. B
2 POST	9412D-65	12"	14 ⁵ / ₈ "
	9418D-65	18"	20 ⁵ / ₈ "
	9424D-65	24"	26 ⁵ / ₈ "
	9430D-65	30"	32 ⁵ / ₈ "
	9436D-65	36"	38 ⁵ / ₈ "
3 POST	9442D-65	21"	44 ⁵ / ₈ "
	9448D-65	24"	50 ⁵ / ₈ "



FRONT VIEW
(3 POST)



TOP VIEW



WALL MOUNT FLANGE

- (8X) - 2 POST GRAB BAR
#8 X 1-3/4" PHILLIPS HEAD SCREW
- (12X) - 3 POST GRAB BAR
#8 X 1-3/4" PHILLIPS HEAD SCREW

SPECIFICATIONS SUBJECT TO CHANGE WITHOUT NOTICE

ALL DIMENSIONS SHOWN TO NEAREST 1/16"



California Faucets®

Decorative Grab Bar

SMOOTH END WITH SQUARE BASE

Features

- All brass construction
- 1-1/4" diameter bar
- Concealed mounting
- Mounting hardware included

- 9412D-77
- 9418D-77
- 9424D-77
- 9430D-77
- 9436D-77
- 9442D-77
- 9448D-77

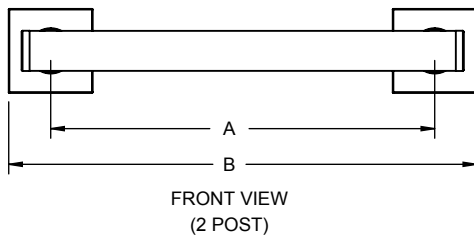


Codes/Standards Applicable

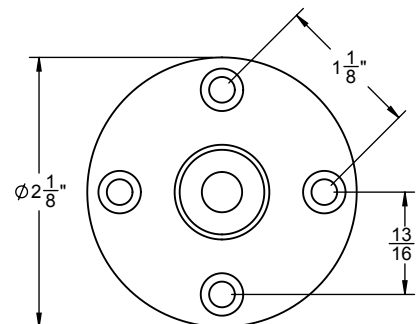
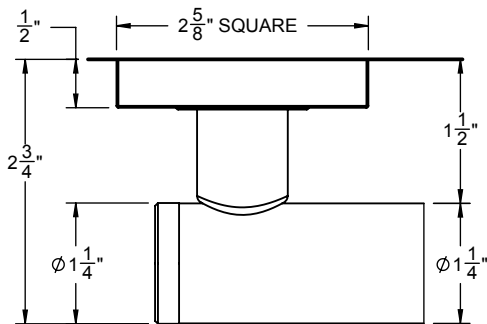
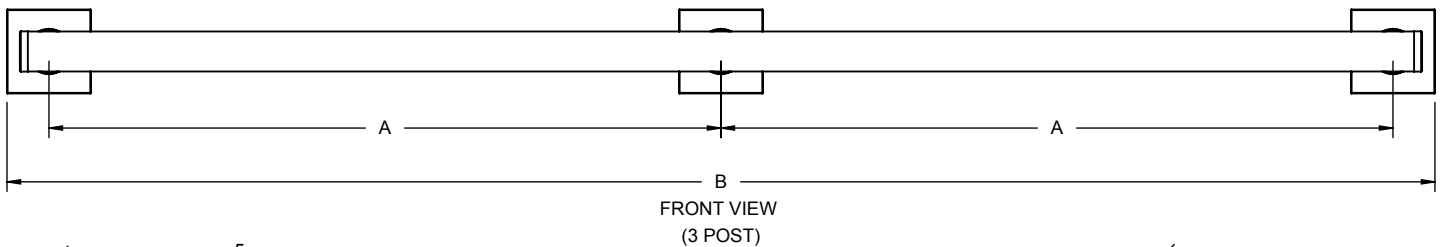
Product meets or exceeds the following:

- ADA compliant

9418D-77 SHOWN



	DECORATIVE GRAB BAR	DIM. A	DIM. B
2 POST	9412D-77	12"	14 ⁵ / ₈ "
	9418D-77	18"	20 ⁵ / ₈ "
	9424D-77	24"	26 ⁵ / ₈ "
	9430D-77	30"	32 ⁵ / ₈ "
	9436D-77	36"	38 ⁵ / ₈ "
3 POST	9442D-77	21"	44 ⁵ / ₈ "
	9448D-77	24"	50 ⁵ / ₈ "



- (8X) - 2 POST GRAB BAR
#8 X 1-3/4" PHILLIPS HEAD SCREW
- (12X) - 3 POST GRAB BAR
#8 X 1-3/4" PHILLIPS HEAD SCREW

SPECIFICATIONS SUBJECT TO CHANGE WITHOUT NOTICE

ALL DIMENSIONS SHOWN TO NEAREST 1/16"



California Faucets®

Decorative Grab Bar

COINED END WITH ROUNDED SQUARE HEX BASE

Features

- All brass construction
- 1-1/4" diameter bar
- Concealed mounting
- Mounting hardware included



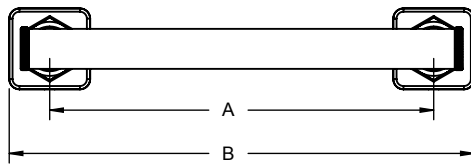
9412D-85
9418D-85
9424D-85
9430D-85
9436D-85
9442D-85
9448D-85

Codes/Standards Applicable

Product meets or exceeds the following:

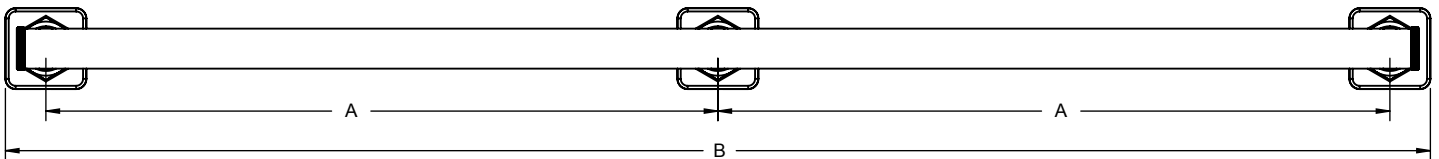
- ADA compliant

9418D-85 SHOWN

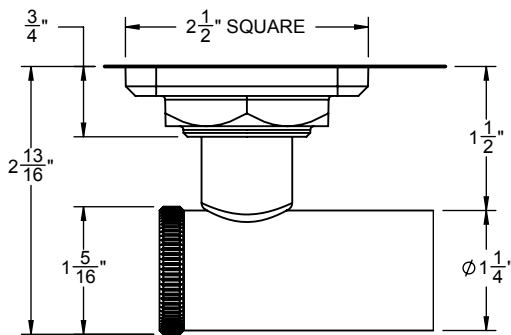


FRONT VIEW
(2 POST)

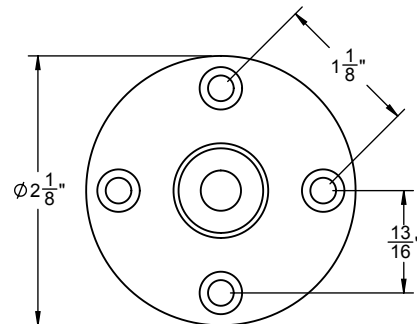
	DECORATIVE GRAB BAR	DIM. A	DIM. B
2 POST	9412D-85	12"	14 $\frac{1}{2}$ "
	9418D-85	18"	20 $\frac{1}{2}$ "
	9424D-85	24"	26 $\frac{1}{2}$ "
	9430D-85	30"	32 $\frac{1}{2}$ "
	9436D-85	36"	38 $\frac{1}{2}$ "
3 POST	9442D-85	21"	44 $\frac{1}{2}$ "
	9448D-85	24"	50 $\frac{1}{2}$ "



FRONT VIEW
(3 POST)



TOP VIEW



WALL MOUNT FLANGE

- (8X) - 2 POST GRAB BAR
#8 X 1-3/4" PHILLIPS HEAD SCREW
- (12X) - 3 POST GRAB BAR
#8 X 1-3/4" PHILLIPS HEAD SCREW

SPECIFICATIONS SUBJECT TO CHANGE WITHOUT NOTICE

ALL DIMENSIONS SHOWN TO NEAREST 1/16"